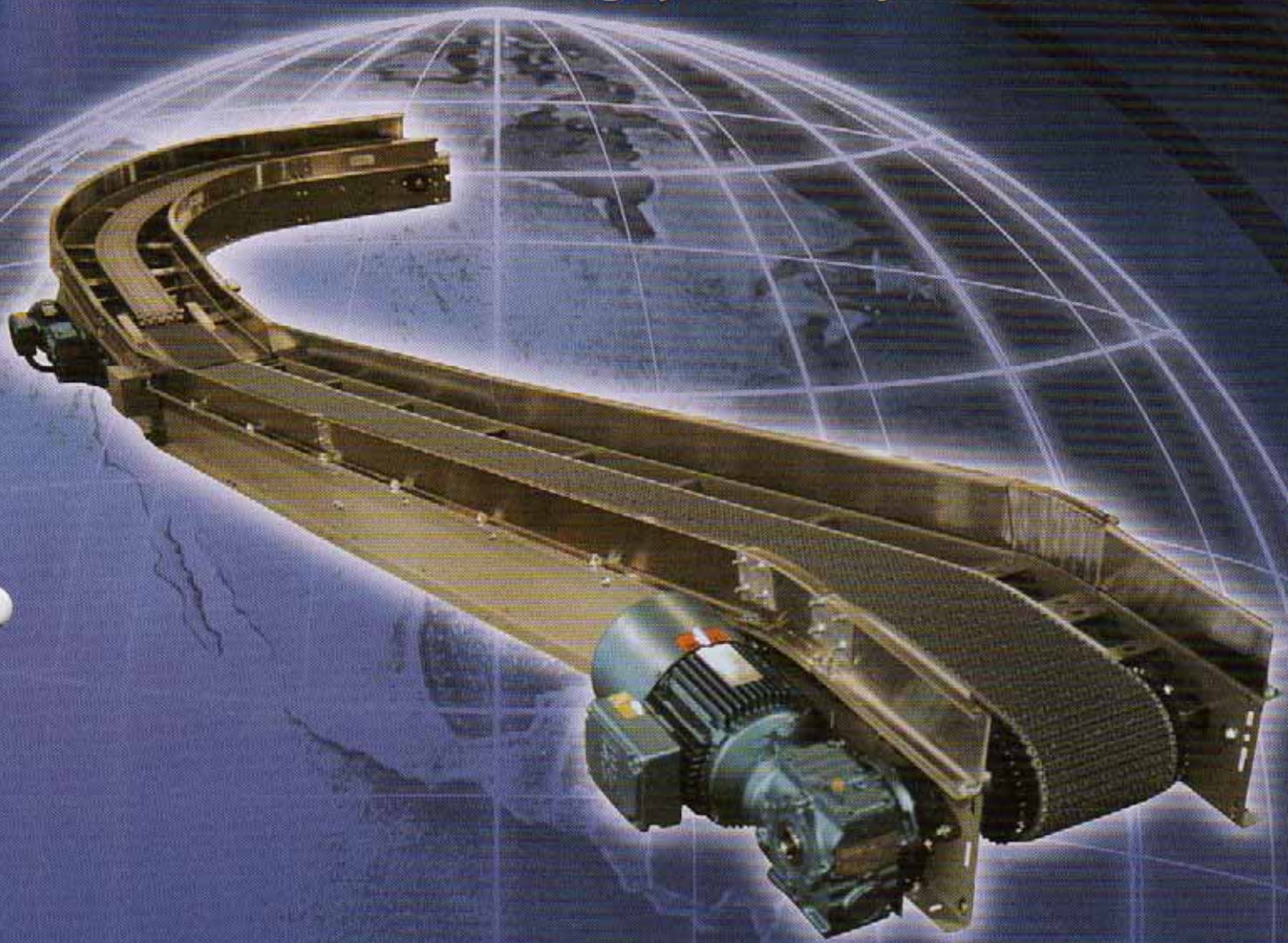


CHSC

Container Handling Systems Corporation



Case Conveyor Equipment

WE HANDLE A WORLD OF CONTAINERS

SoftTouch™ Case Conveyor System

The **SoftTouch™ case conveyor system** is designed to handle cases safely without the use of rollers. This system offers more up-time than conventional roller and fabric belt systems by using table top chain through out the system. **SoftTouch** also offers a conveyor system that has a noise level far less than conventional roller conveyor systems by using a table top chain that rides in UHMW wear strips and return ways.

SoftTouch is designed for handling larger cases than other table top chain conveyor systems, without adjustment, by using a 6" wide chain throughout the 16" BB frame series. Curve sections are equipped with 6" wide flex mat top chain with hold down tabs. Incline/declines are designed with 6" wide rubberized plastic chain, powered feeders and nose over levelers.

Smaller product can be handled with the 12" BB frame series that utilizes 4" table top chain, and has the same accessories.

The primary feature of the **SoftTouch** case conveyor system is the accumulators. The accumulators are self-contained with individual electrical and pneumatic controls. **SoftTouch** utilizes a short stroke air cylinder with a non-binding, low maintenance lift linkage providing ultra

quick positive response and increased durability over the "air bag" method found in most systems. Each intermediate section has all controls, wiring and air tubing in a protective housing attached to the conveyor frame. A simple connection at the end of each intermediate bed section connects the control wiring and pneumatic system for each accumulator section.

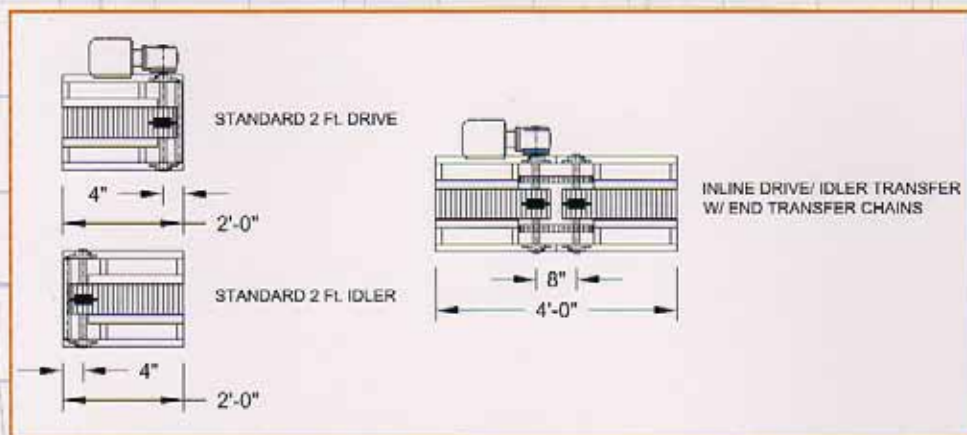
Standard Features:

- Hollow shaft mount motors
- 4" and 6" high fixed guard rail
- Motor speeds 30 to 150 fpm
- 12" BB and 16" BB frame widths
- Adjustable channel floor supports
- Static pencil dead roller transfers

Optional Features:

- Adjustable guard rails
- Stainless steel construction
- Custom drive configurations
- Multiple motor control options
- PLC system integration
- End transfer chains to carry cases across the idler and drive sprocket of each conveyor.

Drive and Idler Ends



SoftTouch conveyor system components are available in non-accumulating transportation applications. This style of conveyor is ideal for connecting various operations where accumulation is required and for conveying lightweight product or empty cartons. Intermediate bed sections can be used to extend the tangents of curve conveyors.

Standard Drive End Feature:

- Slave drive assemblies

Standard Intermediate Features:

- 16" BB frame width x 6" wide chain
- 12" BB frame width x 4" wide chain
- UHMW wear strips and serpentine return ways

Optional Feature:

- Case support rails on each side of product carrying chain

SoftTouch™ Accumulator and Intermediate Bed Sections

The **SoftTouch accumulator** is a clean, self-contained, and versatile case accumulation system which offers an alternative to the traditional "air bag" method. **SoftTouch** system lifts the table top chain by utilizing a short stroke air cylinder with a non-binding, low maintenance lift linkage providing ultra quick positive response and increased durability over the "air bag" method.

SoftTouch has two operation modes to choose from:

Zero Pressure Control

- Consistent spacing for minimizing product to product contact
- Zero stop timing for greater accuracy
- Product spacing and zone is dependant on incoming product spacing and size of zone

Low Pressure Accumulation Control

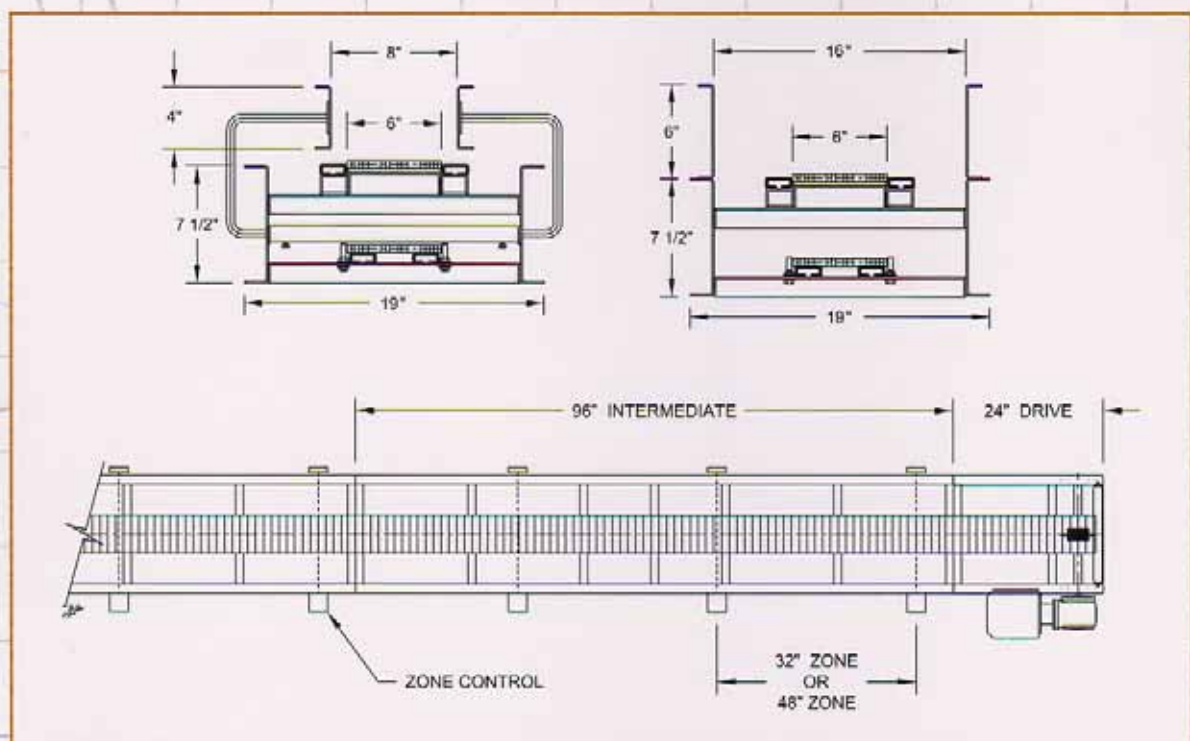
- Multiple products per zone
- Zone controlled pressure relief
- Accumulation to help prevent in-feed downtime
- User selectable timing for control customized to each product

SoftTouch works as a stand-alone system, or can be integrated into a larger control scheme. Each zone has its own "logic" photo-eye, which communicates directly with the adjoining photo-eyes for direct control bypassing unnecessary and costly PLC or relay interface.

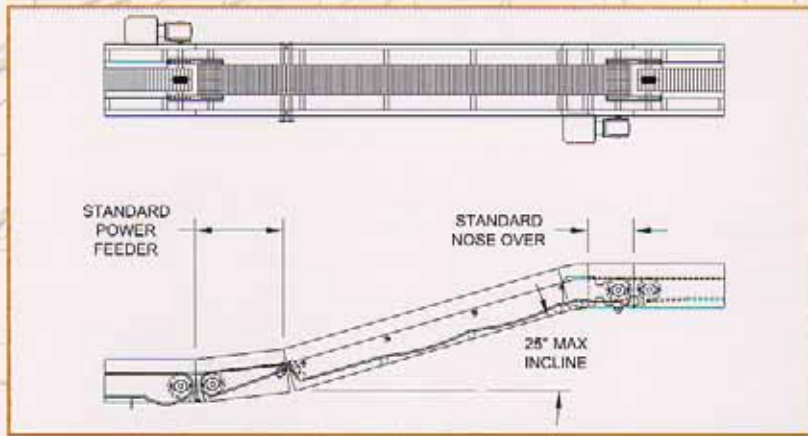
With either type of control systems, **SoftTouch** can be programmed for singulation or slug release.

The **SoftTouch** conveyor system utilizes the same intermediate bed section for transportation conveyors and the **SoftTouch** accumulator. Both are 96" in length.

The **SoftTouch** accumulator is equipped with 32" and 48" accumulation zones. Each zone is completely assembled with the cylinder linkage assembly, solenoid and an Allen Bradley photo-electric control that are located in the terminal enclosure. All components are wired and connected with pneumatic connections in the terminal enclosure. Each length of **SoftTouch** accumulator has only one point connection for control wiring and air.



Incline and Decline Conveyors



Incline and decline conveyors are designed to utilize plastic chain instead of conventional ruff top fabric belting. Plastic chain affords longer wear without having tracking problems or take-up adjustments. Rubberized plastic mat top chain with various textured surfaces allow inclines up to 25°. Chain take up is accomplished with standard table top chain centenary design. The frame of the incline and decline conveyors are the same profile as all components in the **SoftTouch** case conveyor system.

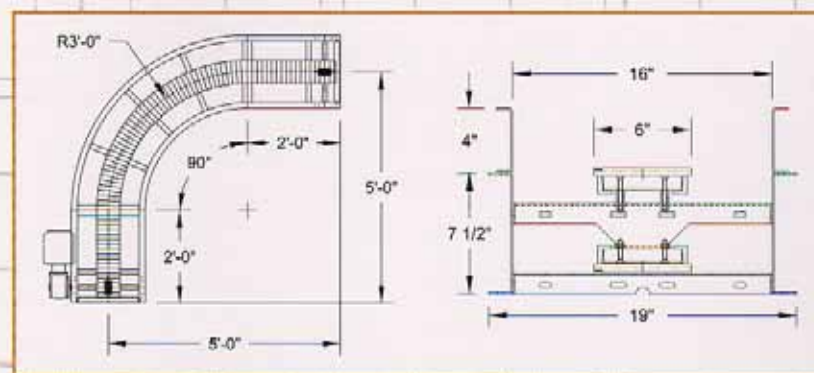
Standard Incline/Decline Features:

- Rubberized friction top plastic chain with smooth or textured surfaces
- 16" BB frame width x 6" wide chain
- 12" BB frame width x 4" wide chain
- UHMW wear strips and serpentine return ways
- Power feeder belts to inclines
- Nose over discharges

Optional Features:

- Case support guides on each side of product carrying chain
- Powered side transfer chains to carry cases across the idler and drive sprocket of each conveyor.

Curve Conveyors and Sections



Curve conveyors are non-accumulating transportation devices. Frames of these curves are the same profile as accumulating or non-accumulating intermediate bed sections. Intermediate bed sections can be used to extend the tangents of curve conveyors. Both 6" and 4" wide chains utilize a flex-tab chain that is fully captured in an oil impregnated UHMW wear strip. The return chain is carried in the same manner.

Standard Intermediate Features:

- 16" BB frame width x 6" wide chain
- 12" BB frame width x 4" wide chain
- Oil impregnated UHMW wear strips and serpentine return ways
- Standard curves available in 30°, 45°, 60° and 90° turns

Optional Features:

- Case support guides on each side of product carrying chain
- Powered side transfer chains to carry cases across the idler and drive sprocket of each conveyor.